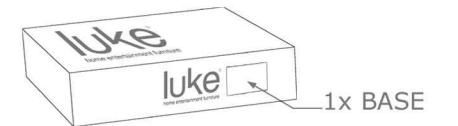
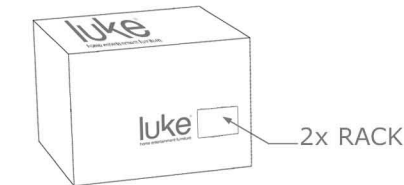
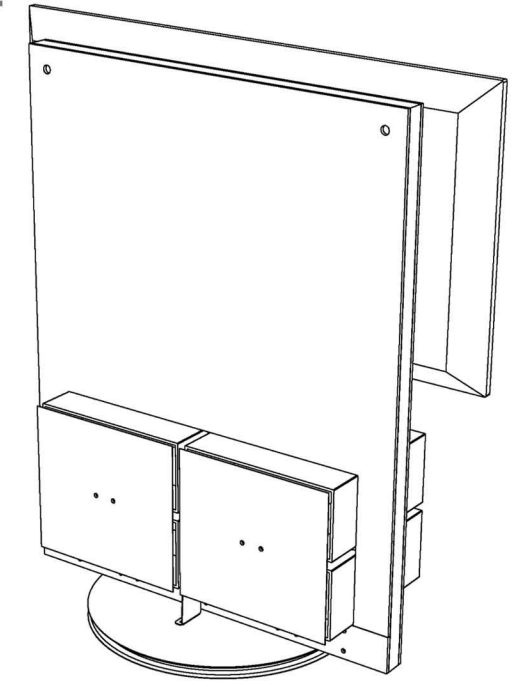
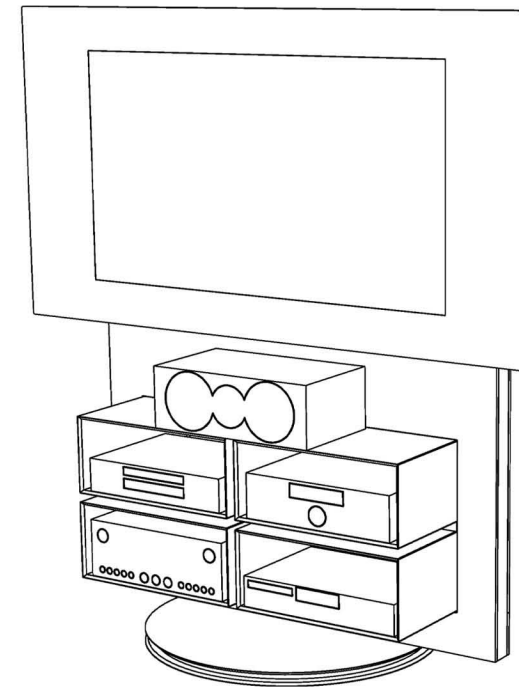


luke[®]
home entertainment furniture

MOUNTING INSTRUCTION
MONTAGEANLEITUNG
INSTRUCTION DE MONTAGE
MONTAGEHANDLEIDING
ISTRUZIONI PER IL MONTAGGIO
INSTRUCCIONES DE MONTAJE

FX-04



PARTS LIST

- | | | |
|---------|--------|---------|
| (A) 1x | (J) 2x | (Q) 4x |
| (B) 1x | (K) 8x | (R) 4x |
| (C) 14x | (L) 2x | (S) 4x |
| (D) 1x | (M) 2x | (T) 4x |
| (E) 1x | (N) 4x | (U) 2x |
| (F) 1x | (O) 4x | (V) 4x |
| (G) 1x | (P) 4x | (W) 3x |
| (H) 1x | | (X) 10x |
| (I) 1x | | |

