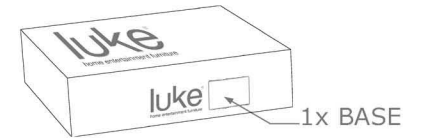
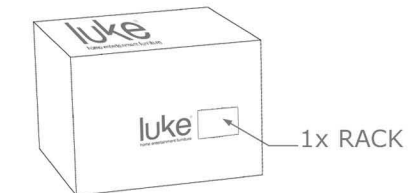
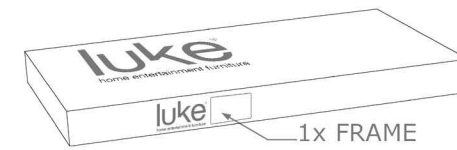
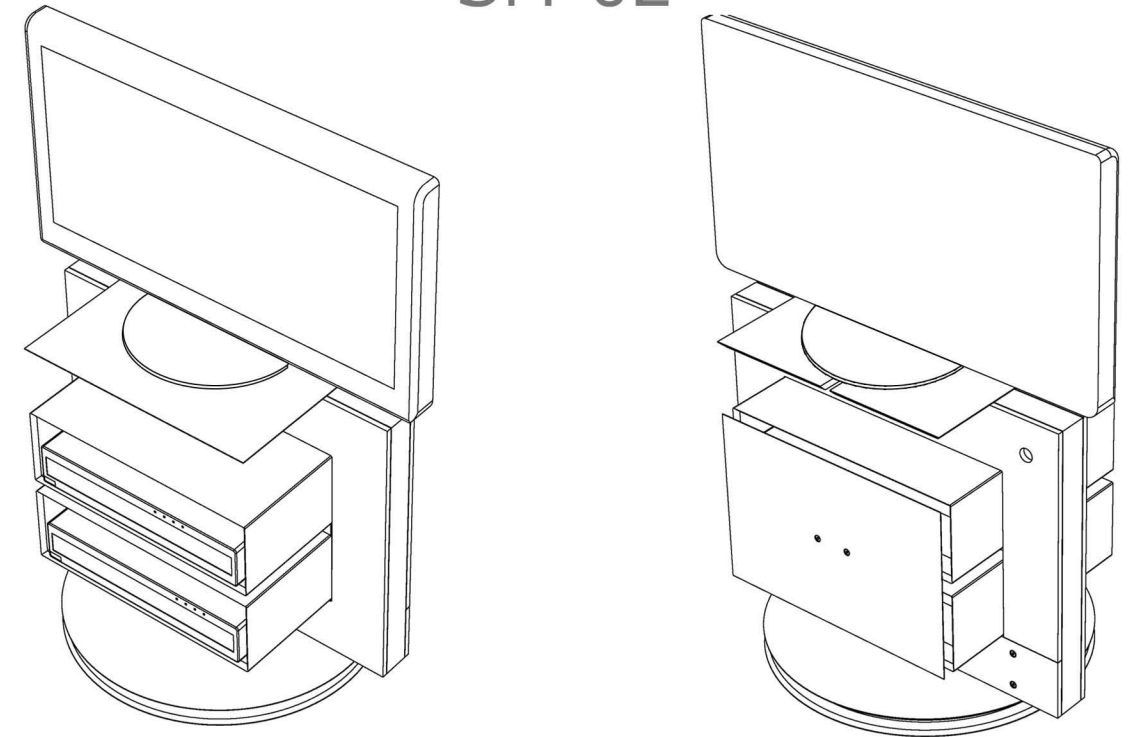


luke[®]
home entertainment furniture

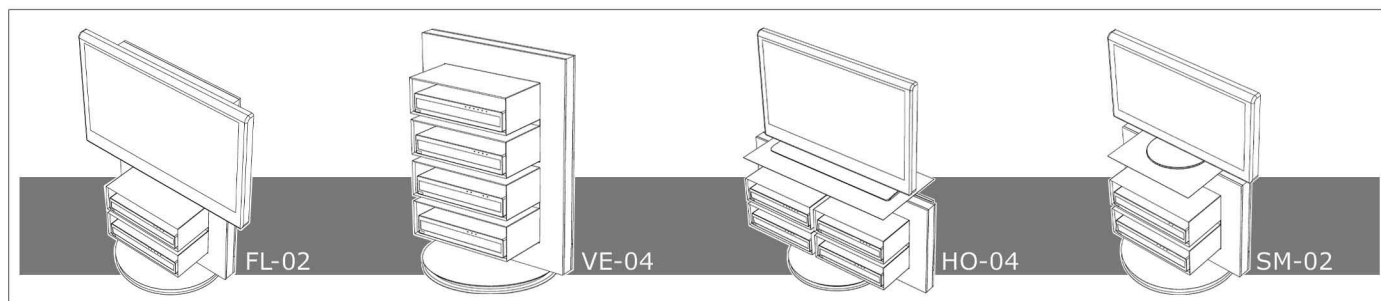
MOUNTING INSTRUCTION
MONTAGEANLEITUNG
INSTRUCTION DE MONTAGE
MONTAGEHANDLEIDING
ISTRUZIONI PER IL MONTAGGIO
INSTRUCCIONES DE MONTAJE

SM-02



PARTS LIST

- | | | |
|--------|--------|--------|
| (A) 1x | (H) 1x | (N) 2x |
| (B) 1x | (I) 1x | (O) 1x |
| (C) 6x | (J) 4x | (P) 2x |
| (D) 1x | (K) 1x | (Q) 2x |
| (E) 1x | (L) 3x | |
| (F) 4x | (M) 1x | |
| (G) 1x | | |



luke[®]
home entertainment furniture

